

Technical Data Sheet TDS-008

IntelliSense Transformer Electrical Check

1. The purpose of this procedure is to verify that the correct electrical power from the transformer is being supplied to the IntelliSense circuit board.
2. Remove the trim ring; cover plate and gasket from the DM connection box. See *Photo 1*.
3. Unscrew the four screws that retain the IntelliSense circuit board. See *Photo 2*.



Photo 1



Photo 2

- Carefully remove the circuit board. See *Photo 3*. With board removed, disconnect the electrical connectors from the rear of the board. See *Photo 4*.

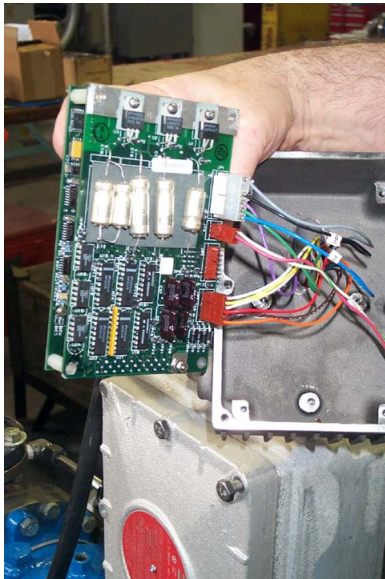


Photo 3

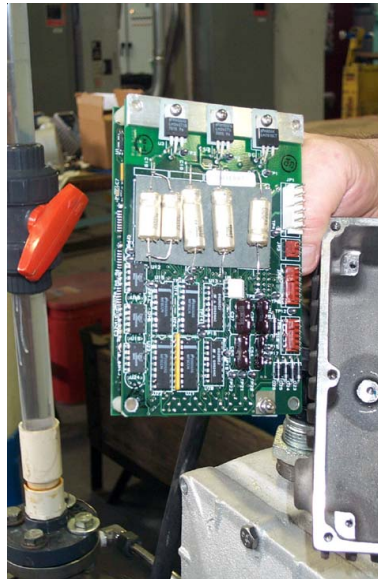


Photo 4

- With the power off, remove the white Molex connector from the IntelliSense. Using a meter on the ohms range, record the resistance of the secondary windings of the transformer (white Molex connector). See *Figure 1, Photo 5*. Compare the measured resistance values to those listed in *Table 1*.

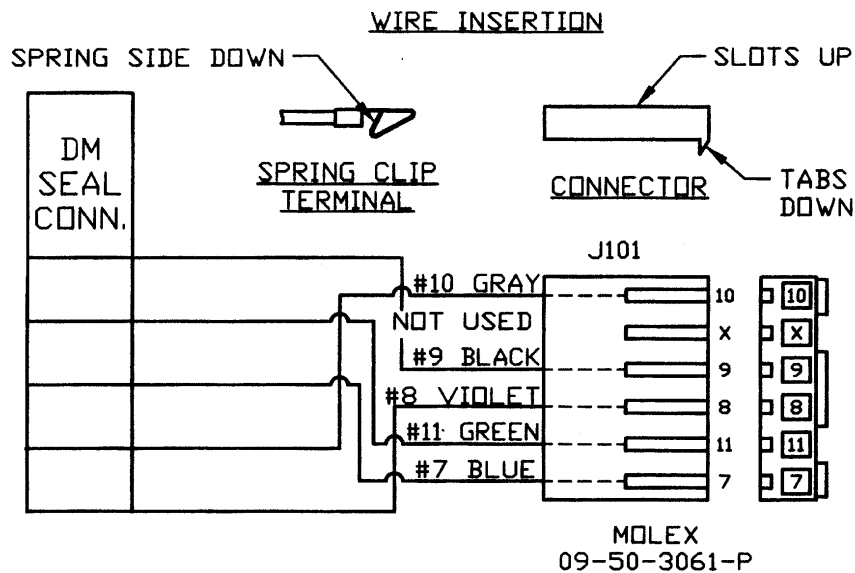


Figure 1



Photo 5

Measure Ohms (Ω)		
Between Pins	Minimum	Maximum
9 and 11	2.7	4.1
10 and 11	2.7	4.1
9 and 10	5.4	8.2
7 and 11	0.7	1.1
8 and 11	0.7	1.1
7 and 8	1.4	2.2

Note: In the event the ohm readings are outside the range of these values, please contact the factory.

Table 1

6. Check the resistance between the transformer pins and chassis. If the resistance is less than 100 Meg ohms please contact the factory.
7. With the IntelliSense still removed, apply power to the transformer, which usually requires that power be applied to the pump. Using a voltmeter on the AC Volts range, record the voltages between wires and compare to those in *Table 2*.

Measure AC Volts (VAC)		
Between Pins	Minimum	Maximum
9 and 11	16.8	25.2
10 and 11	16.8	25.2
9 and 10	33.6	50.4
7 and 11	8.0	12.0
8 and 11	8.0	12.0
7 and 8	16.0	24.0

Note: If the measured voltage is outside the range of stated values please contact the factory.

Table 2

8. If the readings from the transformer are good, and the IntelliSense board does not power up, please contact the factory.
9. Replace the connectors on the IntelliSense. See *Photos 6 & 7*.

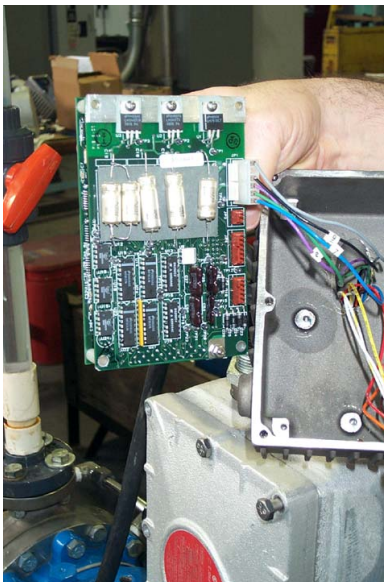


Photo 6

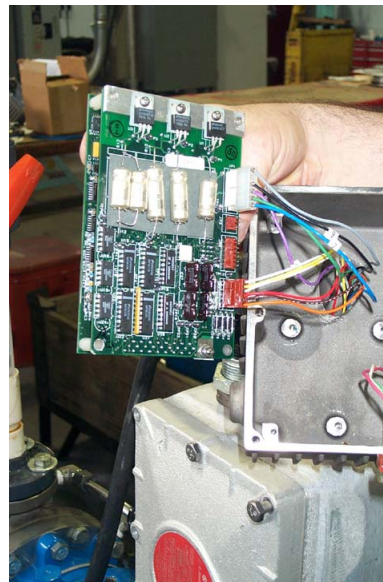


Photo 7

10. Install the IntelliSense into the housing, using the longer screws in the top two holes. See *Photo 8*.



Photo 8

11. Place a new bag of desiccant into the IntelliSense housing. See *Photo 9*.



Photo 9

12. Install a new gasket. See *Photos 10 & 11*.



Photo 10



Photo 11

13. Replace the cover plate, and trim ring. See *Photo 12*.



Photo 12